

B20S Handheld Thermography Camera



HIKMICRO B20S is designed for temperature measurement to find invisible faults. It's equipped with a 256 x 192 resolution thermal detector and a 2MP optical detector. The thermography ranges from -20°C to 550°C (-4°F to 1022°F). Which meets most situations. It helps the staff to quickly find the fault according to accurate temperature measurements of high-temperature targets in the environment. Meanwhile, it provides assistance decisions and ensures safety. The device is mainly applied to various industries, such as building, HVAC, and auto industry, etc.

Key Features

- IR resolution: 256 x 192 (49 152 pixels), 2MP Visual Resolution
- Support SuperIR image enhancement technology
- NETD : < 40 mK (@ 25 °C,F#=1.0)
- Temperature measurement range : -20°C to 550°C (-4°F to 1022°F)
- Accuracy: Max ($\pm 2^{\circ}\text{C}/3.6^{\circ}\text{F}$, $\pm 2\%$), for ambient temperature 15°C to 35°C (59°F to 95°F) and object temperature above 0°C (32°F)
- Measurement presets: Center spot, Hot spot, Cold spot, User Preset Point
- 25 Hz image frequency
- 3.2" 480 × 640 Resolution LCD Screen
- Up to 6 hours continuous running

▪ Specification

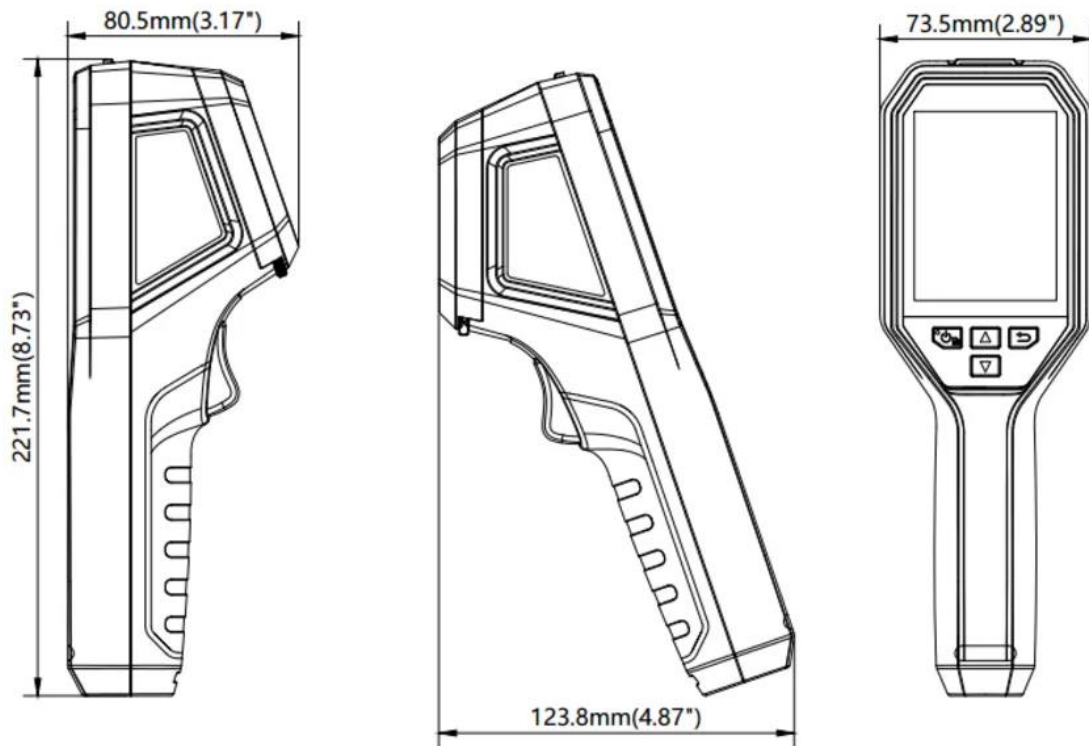
Infrared Image	
IR Resolution	256 × 192 (49,152 pixels)
SuperIR	Yes, on captured images and live view
NETD	< 40 mK (@ 25 °C, F#=1.0)
Image Frequency	25 Hz
Detector Pitch	12 μm
Spectral Range	7.5 to 14 μm
Focal Length	3.6 mm
F-number	F1.0
Field of View (FOV)	37.2° × 50.0°
Spatial Resolution (IFOV)	3.3 mrad
Min. Focus Distance	0.3 m (0.98 ft)
Focus Mode	Focus Free
Image Display	
Visual Camera	1600 × 1200 (2 MP)
Display	480 × 640 Resolution, 3.2" LCD Screen
Color Alarm	Above alarm
Color Palettes	White Hot, Black Hot, Rainbow, Ironbow, Red Hot, Fusion
Image Modes	Thermal/Visual/Fusion/PIP
Measurement and Analysis	
Object Temperature Range	-20°C to 550°C (-4°F to 1022°F)
Accuracy	Max. (± 2°C/3.6°F, ± 2%), for ambient temperature 15°C to 35°C (59°F to 95°F) and object temperature above 0°C (32°F)
Measurement Tools	Center Spot, Hot Spot, Cold Spot User-definable: 3 spots
Level and Span Mode	Auto/Manual
Data Storage and Communication	
Storage Media	Built-in 16G eMMC (user available storage space is less than the nominal capacity)
Image Storage Capacity	Approx. 35,000 Images
Image File Format	Radiometric JPEG
General	
Wi-Fi	802.11 b/g/n (2.4GHz)
USB Interface	USB Type-C
LED Light	Yes
Power Supply	USB-C (5V/2A)
Battery Type	Rechargeable Li-ion battery
Battery Operating Time	Approx. 6 hours
Battery Charging Time	Approx. 3 hours fully charged
Protection Level	IP54
Drop Test Height	2 m (6.56 ft)

Working Temperature Range	-10°C to 50°C (14°F to 122°F)
Storage Temperature Range	-20°C to 60°C (-4°F to 140°F)
Relative Humidity	< 95% non-condensing
Weight	Approx. 380 g (0.84 lb)
Dimension	221.7 × 73.5 × 123.8mm (8.73 × 2.89 × 4.87 in)
Tripod Mounting	UNC ¼"-20

▪ Available Model

B20S

▪ Dimension



▪ Optional Accessories




HM-B201-MACRO
Thermography Camera Macro
Lens



HM-2925ZJ-TM01-BRACKET
Tripod Mounting Bracket



HM-B01-POUCH
POUCH



COMPLIANCE NOTICE: The thermal series products might be subject to export controls in various countries or regions, including without limitation, the United States, European Union, United Kingdom and/or other member countries of the Wassenaar Arrangement. Please consult your professional legal or compliance expert or local government authorities for any necessary export license requirements if you intend to transfer, export, re-export the thermal series products between different countries.



 HIKMICRO Thermography  hikmicro_thermography  HIKMICRO Thermography  HIKMICRO  info@hikmicrotech.com  <http://hikmicrotech.com/en>

© Hangzhou Microimage Software Co., Ltd. All Rights Reserved.

*Note: Specifications are subject to change without notice. For the current specs,
please go to www.hikmicrotech.com